

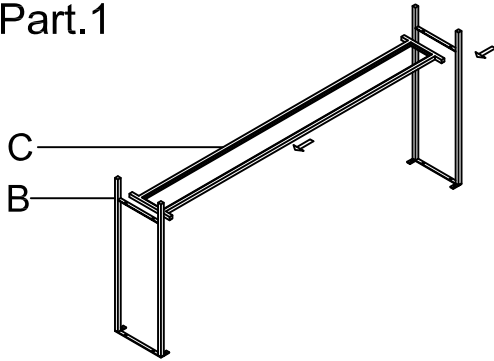


UTTERMOST

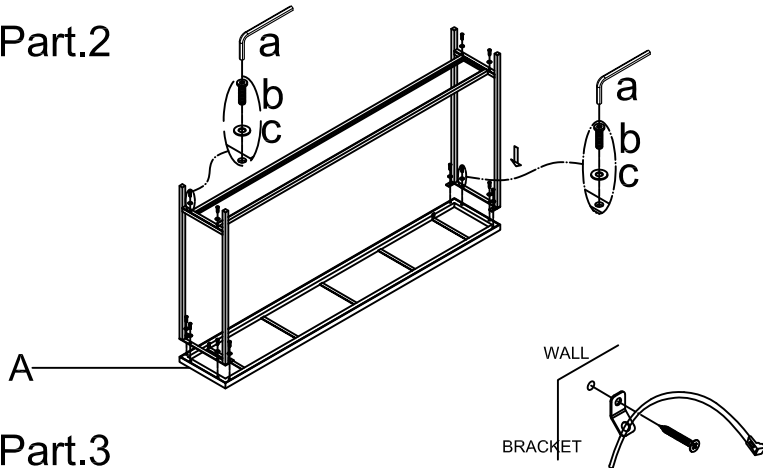
Assembly Instruction

STYLE:24913

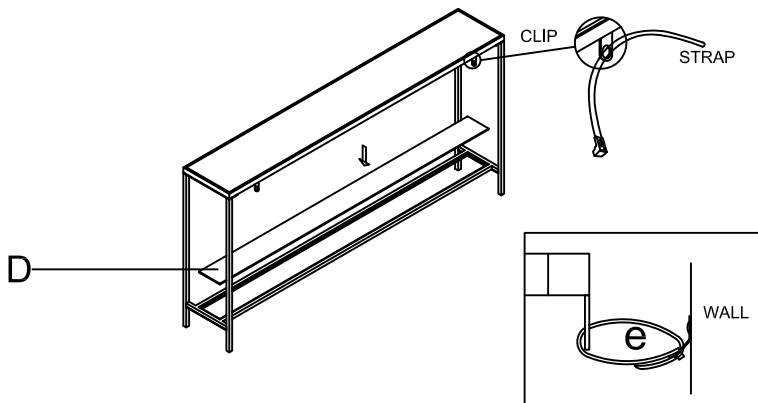
Part.1



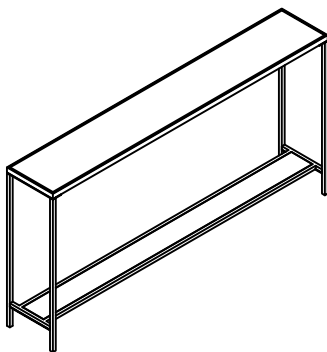
Part.2



Part.3



Part.5



Parts list

A	Table Top	1 PC
B	Table Leg	2 PCS
C	Shelf Frame	1 PC
D	Tempered Glass	1 PC

Hardware list

a	Allen Key	1 PC
b	Bolt	12PCS
c	Flat Washer	12PCS

1. Take the Parts carefully out of the carton, and then place them on a flat and soft surface, making sure that the parts will not be damaged.

2. Please install the Shelf Frame(C) with Metal Leg(B) appropriately. Individually screw the bolts (see part.1) and please do not tighten too much .

3. Put the Table Top (A) on the top of right/left Table Leg(B), then screw the bolts from the bottom of table top (see part.1) Finally all bolts should be tightened clockwise until secure.

4. Put the tempered glass panel in the the rabbet of metal shelf.

5. Please fix the Metal bracket to a wall the secure the Metal clip and bracket with the strap as shown. Please rotate the adjustable foot pad on bottom of the legs to level table. Assembly is complete.

To Clean, wipe with soft dry cloth.

PO BOX558/3325 GRASSY HILL RD. ROCKY MOUNT, VIRGINIA 24151

www.uttermost.com